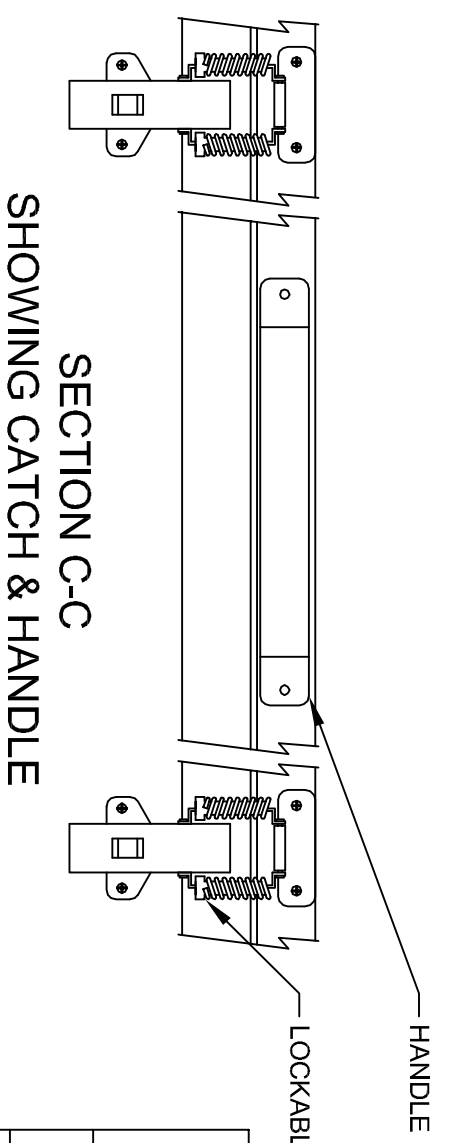
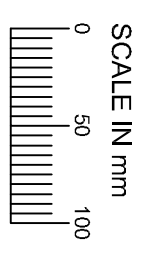


SECTION A-A

MAXIMUM SIZE GOVERNED BY 2.0 M²

SECTION B-B



ROOFLIGHT TYPE
ACCESS HATCH UPSTAND WITH ADAPTOR KERB AND
STANDARD SECURITY FIXINGS (RESTRICTION STAY)

DRAWN BY:	DATE:	CHECKED	REVISION
IW	12/01/08		0

National Domelight Company
Pyramid House, 52 Guildford Road, Lightwater, Surrey, GU18 5SD
Tel: 01276 451555 Fax: 01276 451533 E-mail: info@nationaldomes.com



DRG No.
SD350 PVC AH